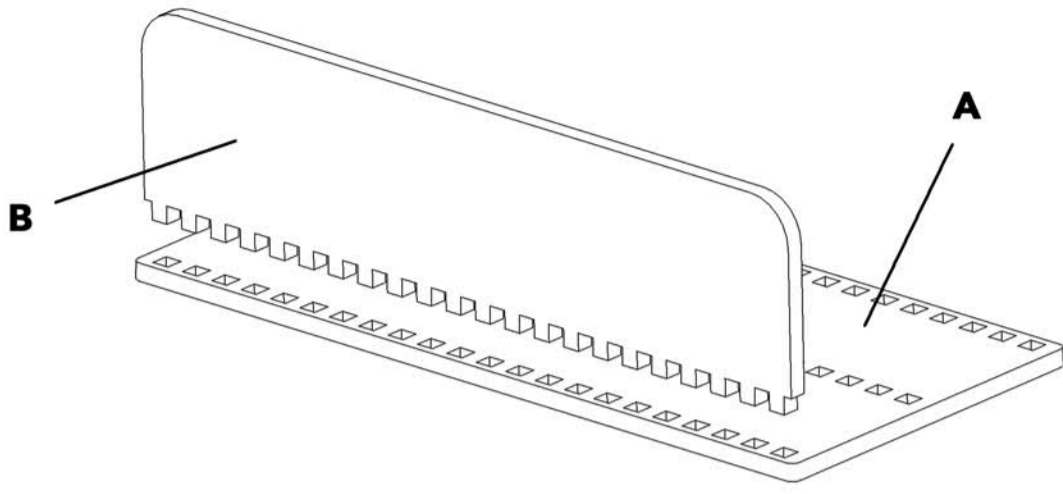
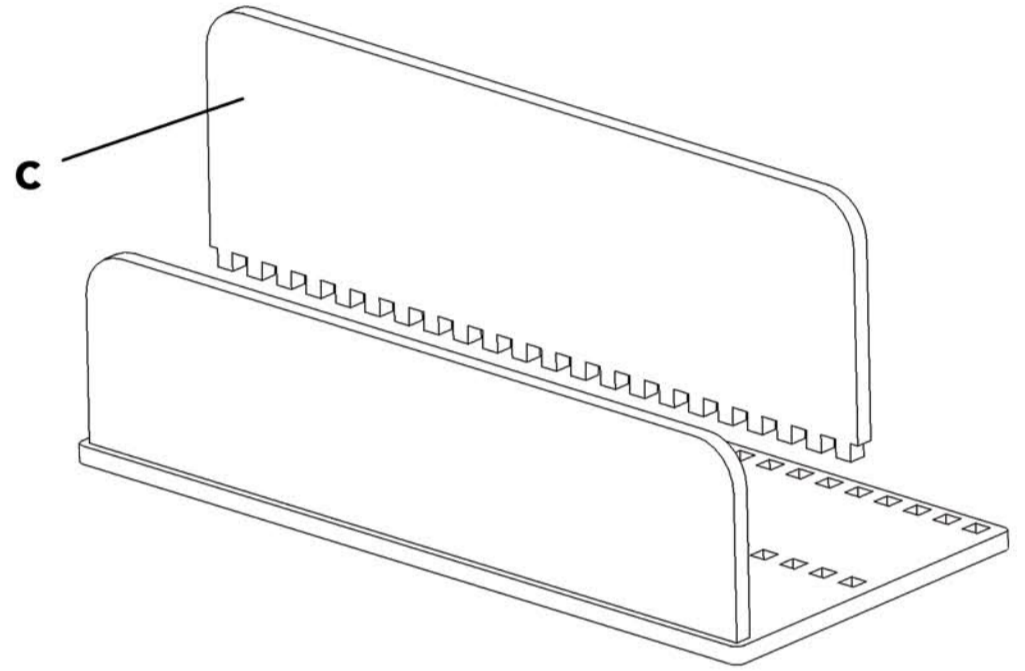


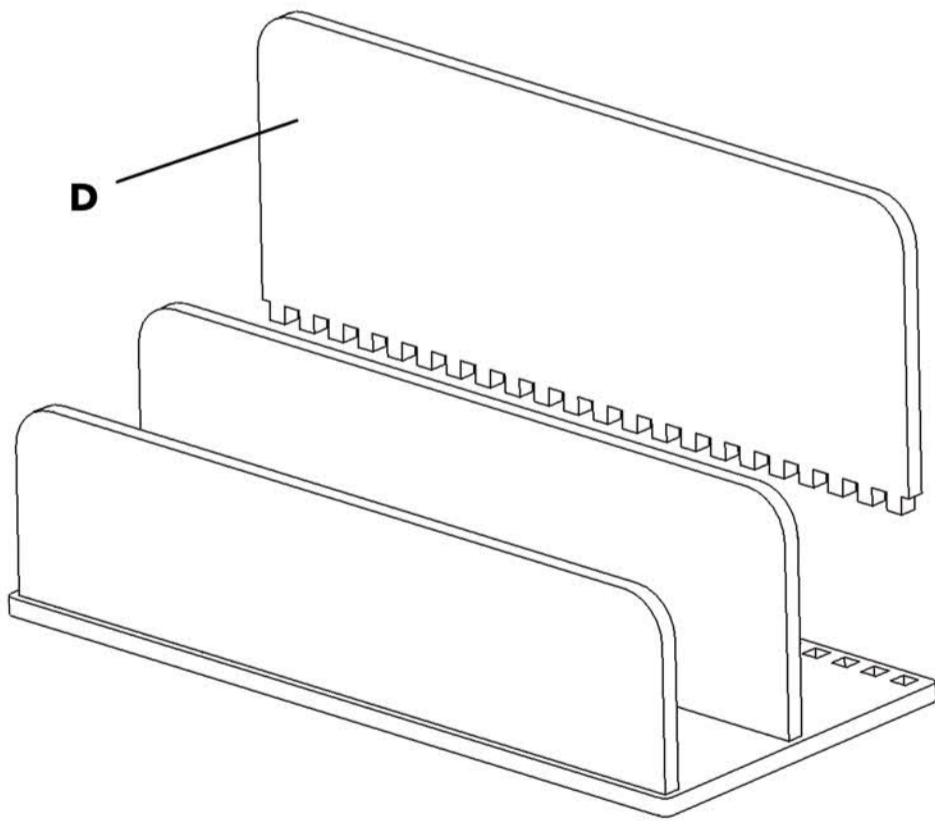
Letter Rack Instructions



1. Slot piece B into piece A.



2. Slot piece C into piece A.



3. Slot piece D into piece A.

The letter rack is complete.

